

Spring Plunger

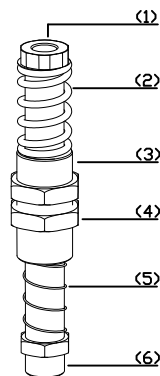
Spring Plunger MTA-HD

Stroke:25mm to 90mm

Spring Plunger MTA-HD



System design Spring Plunger MTA-HD



Introduction and application

- ◆ Spring plunger with two damping springs for handling of workpieces with differing heights, such as curved metal sheets, etc.
- ◆ Handle pressure sensitive workpieces (such as glass) to ensure flexible contact.
- ◆ For use under rough operating conditions
- ◆ For handling tasks with very dynamic motion and short cycle times

Design

- ◆ Spring plunger consisting of a high strength rod made of galvanized steel, guide sleeve (3) and upper (2) and lower (5) damping springs
- ◆ The vacuum channel at the upper end of the Plunger is provided with an internal thread connection (1)
- ◆ Thread for suction cup is always a external thread (6)
- ◆ For models with anti-rotation function, the stainless steel rod and bearing sleeve adopt matching planar structure.
- ◆ Two lock nuts for attachment (4)

Technical Data And Ordering Data Spring Plunger MTA-HD

Type	Spring load rate [N/mm]	Spring pretension [N]	Spring force [N]	Vertical load [N]	Horizontal load [N]	Weight [g]	Operating temperature [°C]	Ordering Data
MTA-HD G1/4-AG 25	0.711	8.95	17.8	2400	800	185	0...80	90.04.01.00090
MTA-HD G1/4-AG 25 VG	0.711	8.95	17.8	2400	800	185	0...80	90.04.01.00091
MTA-HD G1/4-AG 50	0.262	14.10	20.6	2400	490	210	0...80	90.04.01.00092
MTA-HD G1/4-AG 50 VG	0.262	14.10	20.6	2400	490	210	0...80	90.04.01.00093
MTA-HD G3/8-AG 25	3.828	25.65	73.5	4800	1870	495	0...80	90.04.01.00094
MTA-HD G3/8-AG 25 VG	3.828	25.65	73.5	4800	1870	495	0...80	90.04.01.00095
MTA-HD G3/8-AG 50	1.810	3.95	49.2	4800	1200	540	0...80	90.04.01.00096
MTA-HD G3/8-AG 50 VG	1.810	3.95	49.2	4800	1200	540	0...80	90.04.01.00097
MTA-HD G3/8-AG 90	1.072	24.38	75.3	4800	730	645	0...80	90.04.01.00098
MTA-HD G3/8-AG 90 VG	1.072	24.38	75.3	4800	730	645	0...80	90.04.01.00099
MTA-HD G1/2-AG 25	3.828	25.65	73.5	4900	1870	493	0...80	90.04.01.00100
MTA-HD G1/2-AG 25 VG	3.828	25.65	73.5	4900	1870	495	0...80	90.04.01.00101
MTA-HD G1/2-AG 50	1.810	3.95	49.2	4900	1200	539	0...80	90.04.01.00102
MTA-HD G1/2-AG 50 VG	1.810	3.95	49.5	4900	1200	540	0...80	90.04.01.00103
MTA-HD G1/2-AG 90	1.072	24.38	75.3	4900	730	645	0...80	90.04.01.00104
MTA-HD G1/2-AG 90 VG	1.072	24.38	75.3	4900	730	645	0...80	90.04.01.00105

Note:HD Heavy Duty AG External Thread VG with Anti-rotation Function

Spring Plunger

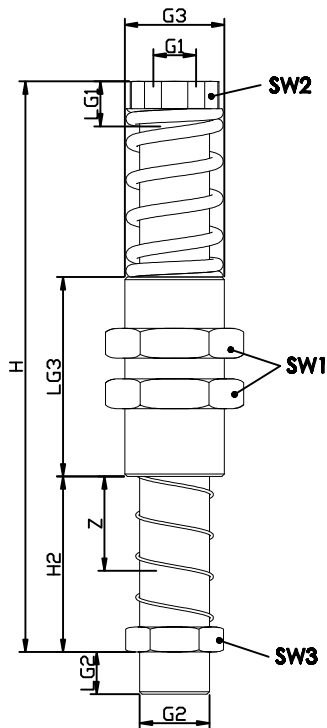
Spring Plunger MTA-HD

Stroke:25mm to 90mm



Design Data Spring Plunger MTA-HD

MTA-HD G1/4 to G1/2



Type	Dimensions[mm]											
	G1	G2	G3	H	H2	LG1	LG2	LG3	SW1	SW2	SW3	Z (Stroke)
MTA-HD G1/4-AG 25	G1/8"-F	G1/4"-M	M20 × 1.5-M	114.5	37.0	12	8.5	40	24	17	17	25
MTA-HD G1/4-AG 25 VG	G1/8"-F	G1/4"-M	M20 × 1.5-M	114.5	37.0	12	8.5	40	24	17	17	25
MTA-HD G1/4-AG 50	G1/8"-F	G1/4"-M	M20 × 1.5-M	144.0	66.5	12	8.5	40	24	17	17	50
MTA-HD G1/4-AG 50 VG	G1/8"-F	G1/4"-M	M20 × 1.5-M	144.0	66.5	12	8.5	40	24	17	17	50
MTA-HD G3/8-AG 25	G3/8"-F	G3/8"-M	M30 × 1.5-M	146.5	49.5	12	10.5	53	36	24	24	25
MTA-HD G3/8-AG 25 VG	G3/8"-F	G3/8"-M	M30 × 1.5-M	147.0	57.0	12	10.5	53	36	24	24	25
MTA-HD G3/8-AG 50	G3/8"-F	G3/8"-M	M30 × 1.5-M	176.5	79.5	12	10.5	53	36	24	24	50
MTA-HD G3/8-AG 50 VG	G3/8"-F	G3/8"-M	M30 × 1.5-M	177.0	87.0	12	10.5	53	36	24	24	50
MTA-HD G3/8-AG 90	G3/8"-F	G3/8"-M	M30 × 1.5-M	229.5	132.5	12	10.5	53	36	24	24	90
MTA-HD G3/8-AG 90 VG	G3/8"-F	G3/8"-M	M30 × 1.5-M	230.0	140.0	12	10.5	53	36	24	24	90
MTA-HD G1/2-AG 25	G3/8"-F	G1/2"-M	M30 × 1.5-M	146.5	56.5	12	10.5	53	36	24	24	25
MTA-HD G1/2-AG 25 VG	G3/8"-F	G1/2"-M	M30 × 1.5-M	146.5	56.5	12	10.5	53	36	24	24	25
MTA-HD G1/2-AG 50	G3/8"-F	G1/2"-M	M30 × 1.5-M	176.5	86.5	12	10.5	53	36	24	24	50
MTA-HD G1/2-AG 50 VG	G3/8"-F	G1/2"-M	M30 × 1.5-M	176.5	86.5	12	10.5	53	36	24	24	50
MTA-HD G1/2-AG 90	G3/8"-F	G1/2"-M	M30 × 1.5-M	229.5	139.5	12	10.5	53	36	24	24	90
MTA-HD G1/2-AG 90 VG	G3/8"-F	G1/2"-M	M30 × 1.5-M	229.5	139.5	12	10.5	53	36	24	24	90